

## 0.5mW 220V Linear, HeNe Laser



Low-Noise Lumentum Helium-Neon Laser with self-contained power supply



Stock #61-360 [CONTACT US](#)

- 1 + MRP ₹1,86,912

Price inclusive of all taxes

**ADD TO CART**

### Volume Pricing

Qty 1+	₹1,86,912 each
Need More?	<a href="#">Request Quote</a>

### Product Downloads



### General

Warm-Up Time (minutes):  
10.00

**Note:**  
For Use in European Markets that Utilize 220V or  
Requires a 110V to 220V Inversion

Manufacturer:  
Lumentum

HeNe	<b>Type of Laser:</b>
II	<b>Laser Class - CDRH:</b>
12,000	<b>Operating Lifetime (hours):</b>
1508P-2	<b>Model Number:</b>

## Physical & Mechanical Properties

2.50 x 2.00 x 7.00	<b>Dimensions (inches):</b>
1.20	<b>Weight (lbs):</b>

## Optical Properties

500:1	<b>Polarization:</b>
>95% TEM <sub>00</sub>	<b>Spatial Mode:</b>
632.80	<b>Wavelength (nm):</b>
±3	<b>Beam Diameter Tolerance (%):</b>
±3	<b>Beam Divergence Tolerance (%):</b>
0.48	<b>Beam Diameter (mm):</b>
1.7	<b>Beam Divergence (mrad):</b>
Red	<b>Color:</b>

## Electrical

>0.5	<b>Output Power (mW):</b>
±2.5	<b>Power Stability (%):</b>
30 Hz - 10 MHz 1.0%	<b>RMS Noise:</b>
1090	<b>Longitudinal Mode Spacing, Nominal (MHz):</b>
0.5	<b>Minimum Output Power, TEM<sub>00</sub> (mW):</b>

## Hardware & Interface Connectivity

<b>Power Supply:</b> Power Supply Required and Sold Separately. USA: <a href="#">#11-378</a> Europe: <a href="#">#35-224</a> Japan: Not Available Korea: Not Available China: <a href="#">#11-378</a>	<b>Power Supply:</b>
Free Space	<b>Output Type:</b>
220	<b>Input Voltage (V):</b>

## Regulatory Compliance

<a href="#">Exempt</a>	<b>RoHS 2015:</b>
<a href="#">View</a>	<b>Certificate of Conformance:</b>
Singapore	<b>Country of Origin:</b>
Edmund Optics India Private Limited 267, Greystone Building, Second Floor, 6th Cross Rd, Binnamangala, Stage 1, Indiranagar, Bengaluru, Karnataka, India 560038 Phone: +91- 80-6845 0000	<b>Imported By:</b>

## Product Details

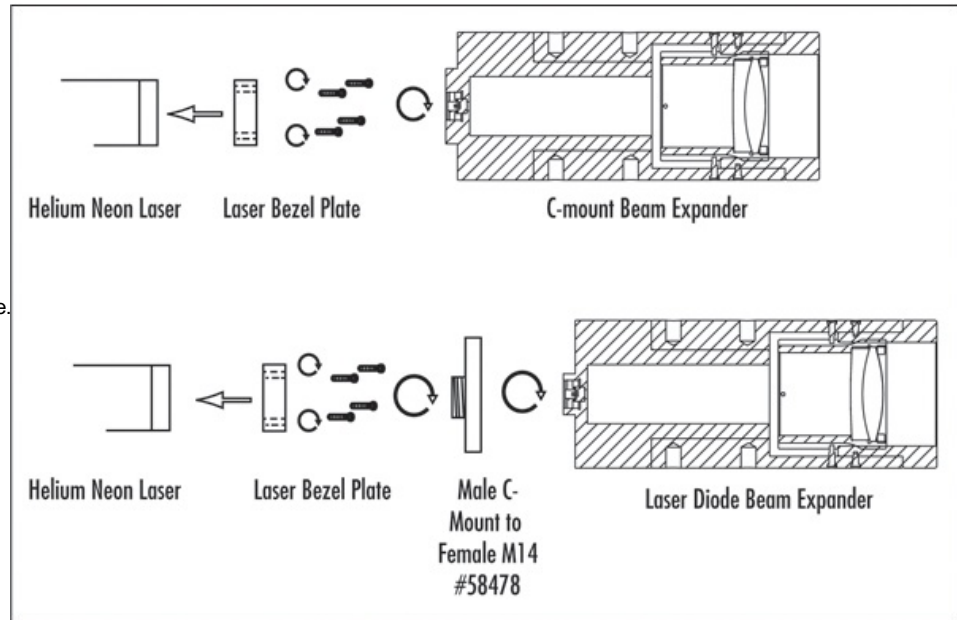
- Low Noise
- Self-Contained Power Supply

- **Small Size**

Lumentum Helium-Neon (HeNe) Lasers feature hard-sealed internal mirrors and small physical sizes. Due to low noise, the lasers offer increased laser reliability, greater design flexibility, and enhanced performance. The base of the laser is slotted for lab table mounting. These Lumentum HeNe Lasers also feature self-contained power supplies for simple system integration. Typical applications include alignment, metrology, and inspection.

**Note:** Lumentum was previously known as JDSU. These HeNe lasers comply with 21CFR1040 and IEC 825-1:1993.

## Technical Information



Beam Expander Mounting Configurations Click on an item below to be brought to that item's product page.

