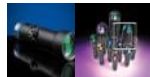


**TECHSPEC® 0.50X In-Line Illumination SilverTL™ Telecentric Lens**



0.50X In-Line Illumination SilverTL™ Telecentric Lens, #88-344



Stock **#88-344** **4 In Stock**

MRP ₹1,03,848

**Price inclusive of all taxes**

**ADD TO CART**

Volume Pricing	
Qty 1+	₹1,03,848 each
Need More?	<a href="#">Request Quote</a>

Product Downloads

**General**

SilverTL™ Series **Product Family:**

**Stock No. of Mounting Clamp:**  
#56-870 Sold Separately

Telecentric Lens **Type:**

**Type of Illumination:**

## Physical & Mechanical Properties

Variable Iris Option:

156.20 Length (mm):

156.20 Length excluding Threads (mm):

40.00 Maximum Diameter (mm):

233 Weight (g):

Anodized Aluminum Construction:

## Optical Properties

14.4mm Horizontal Field of View, 1/1.8" Sensor:

12.8mm Horizontal Field of View, 1/2" Sensor:

9.6mm Horizontal Field of View, 1/3" Sensor:

9.00 Maximum Image Circle (mm):

0.041 Numerical Aperture NA, Object Side:

±3 Working Distance Tolerance (mm):

>40% @ 40 lp/mm Resolution, Image Space MTF @ f/10:

7 (6) Number of Elements (Groups):

<0.012 Typical Telecentricity @ 588nm (°):

<0.200 Typical Distortion @ 588nm (%):

0.5X Primary Magnification PMAG:

0.50 Telecentric Lens Magnification:

120.00 Working Distance (mm):

14.4 x 10.8 FOV @ Max Sensor Format, H x V (mm):

f/6 - f/22 Aperture (f/#):

425 - 675nm BBAR Coating:

±2.1 at f/10 (20% @ 20 lp/mm) Depth of Field (mm):

0.5X Magnification:

VIS Lens Wavelength Range:

## Sensor

1/1.8" Maximum Sensor Format:

2.74 Pixel Size (µm):

## Threading & Mounting

M37 x 0.75 (Female) Filter Thread:

C-Mount Mount:

## Regulatory Compliance

[View](#) Certificate of Conformance:

China Country of Origin:

**Imported By:**

Edmund Optics India Private Limited  
267, Greystone Building, Second Floor,  
6th Cross Rd, Binnamangala,  
Stage 1, Indiranagar, Bengaluru,  
Karnataka, India 560038  
Phone: +91- 80-6845 0000

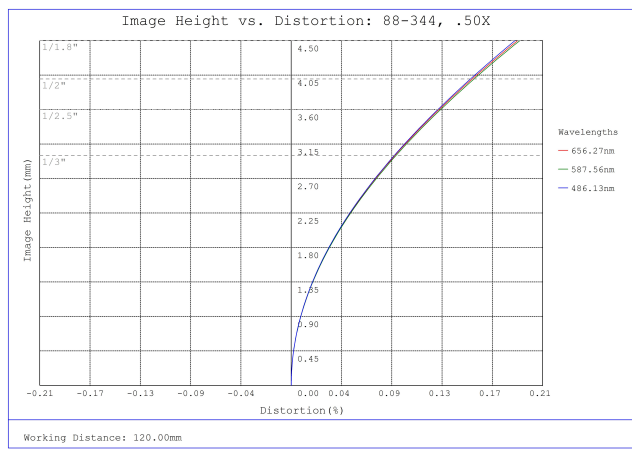
## Product Details

- High Resolution f/6 Bi-Telecentric Lens with Inline Illumination Options
- Up to 7.5 MegaPixels, 2.8µm Pixel Size Sensors
- Up to 2/3", C-Mount Telecentric Lens
- Magnification from 0.16X to 4X

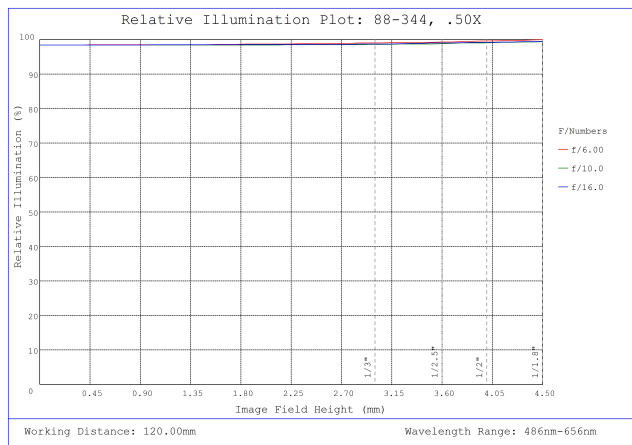
TECHSPEC® SilverTL™ Telecentric Lenses are ideal for both on-line and off-line machine vision production applications that require accurate measurements. These lenses combine high-quality optics with a simplified non-focusing mechanical design and an adjustable iris with a locking set screw. These lenses are designed for metrology and gauging applications. TECHSPEC® SilverTL™ Telecentric Lenses also offer inline illumination options for maximum versatility. Each lens also features a standard front filter thread for use with [color filters](#), [polarizers](#), [protective windows](#), and [illumination adapters](#) for LED or fiber-optic ring lights.

**Note:** Mounting brackets are available that fit the 30mm diameter mounting surface.

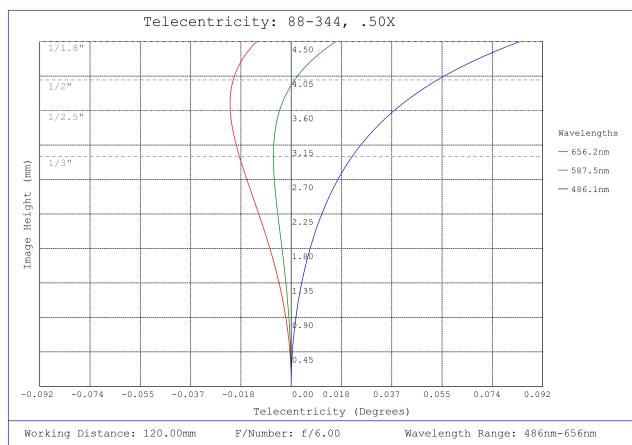
## Technical Information



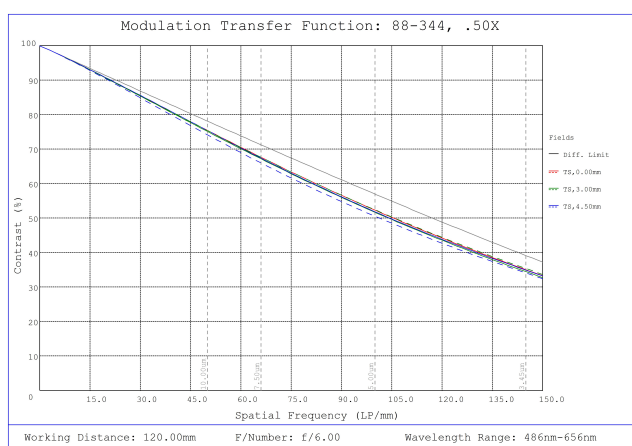
#88-344, 0.50X In-Line Illumination SilverTL™ Telecentric Lens, Distortion Plot



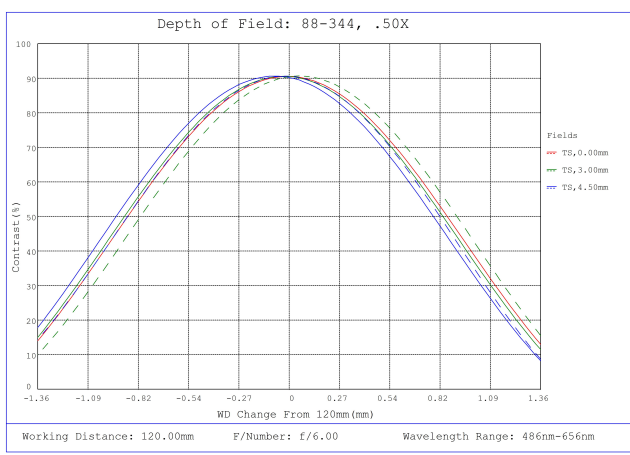
#88-344, 0.50X In-Line Illumination SilverTL™ Telecentric Lens, Relative Illumination Plot



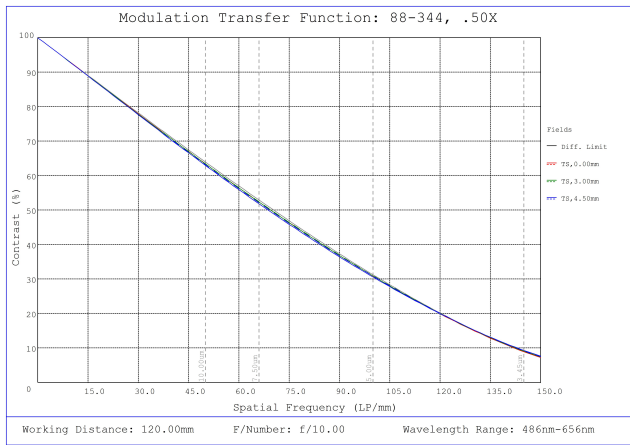
#88-344, 0.50X In-Line Illumination SilverTL™ Telecentric Lens, Telecentricity Plot



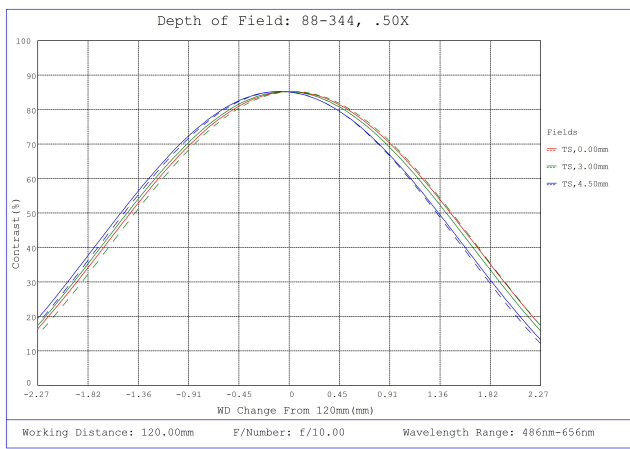
#88-344, 0.50X In-Line Illumination SilverTL™ Telecentric Lens, Modulated Transfer Function (MTF) Plot, 120mm Working Distance, f6



#88-344, 0.50X In-Line Illumination SilverTL™ Telecentric Lens, Depth of Field Plot, 120mm Working Distance, f6

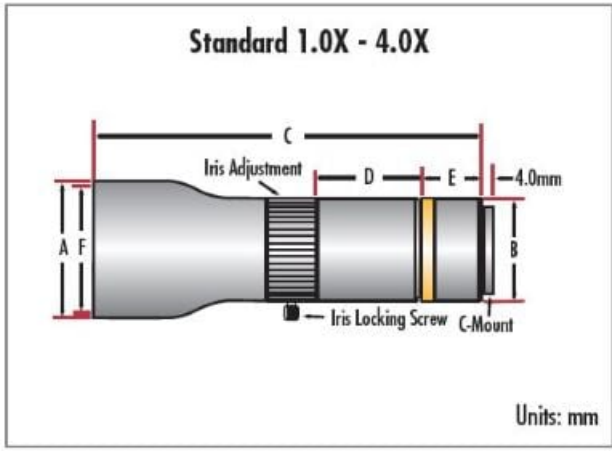
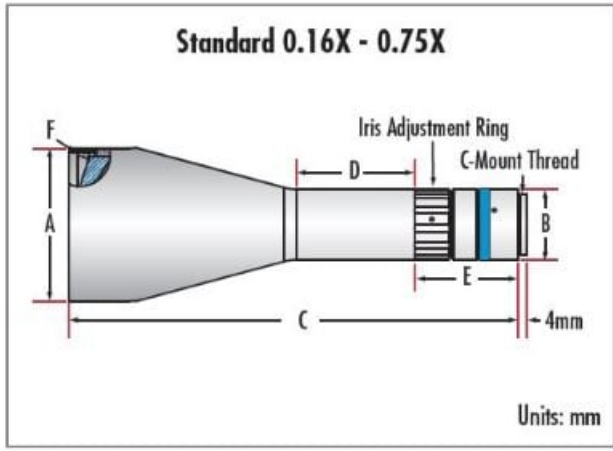


#88-344, 0.50X In-Line Illumination SilverTL™ Telecentric Lens, Modulated Transfer Function (MTF) Plot, 120mm Working Distance, f10



#88-344, 0.50X In-Line Illumination SilverTL™ Telecentric Lens, Depth of Field Plot, 120mm Working Distance, f10

Stock Number	Primary Mag.	Max Diameter A	Mbunting Diameter B	Length C	Mbunting Length D	Mounting Offset E	Filter Thread F
#56-675	0.16X	65mm	30mm	191mm	50mm	43mm	M62 x 0.75
#63-073	0.20X	60mm	30mm	188mm	42mm	45mm	M58 x 0.75
#56-676	0.25X	48mm	30mm	158mm	49mm	44mm	M46 x 0.75
#58-428	0.30X	46mm	30mm	158mm	60mm	43mm	M43 x 0.75
#56-677	0.40X	45mm	30mm	159mm	67mm	33mm	M43 x 0.75
#63-074	0.50X	40mm	30mm	153mm	42mm	68mm	M37 x 0.75
#88-344 (In-Line)				156.2mm	45.1mm	73.4mm	
#56-678	0.60X	42mm	30mm	156mm	57mm	46mm	M40.5 x 0.5
#67-731	0.75X	36mm	30mm	151.2mm	34mm*	82.2mm	M30.5 x 0.5
#88-346 (In-Line)				155.2mm	46.2mm	16.9mm	
#58-430	1.0X	40mm	30mm	114mm	32mm*	17mm	M37 x 0.75
#58-431	2.0X	45mm	30mm	141mm	45mm	17mm	M43 x 0.75
#88-348 (In-Line)				144.6mm	42.2mm	18.8mm	
#58-432	4.0X	61mm	30mm	249mm	99mm	17mm	M58 x 0.75



\*Mounting clamp fits over iris