

**TECHSPEC® 0.125X, 2/3" GoldTL™ Telecentric Lens**



#55-348 (0.125X)

Stock **#55-348** **6 In Stock**

MRP ₹2,86,361

Price inclusive of all taxes

**ADD TO CART**

Volume Pricing	
Qty 1+	₹2,86,361 each
Need More?	<a href="#">Request Quote</a>

Product Downloads

**General**

GoldTL™ Series **Product Family:**

**Stock No. of Mounting Clamp:**  
#56-027 Sold Separately

Telecentric Lens **Type:**

Focusable Telecentric **Special Type of Lens:**

**Physical & Mechanical Properties**

Variable	<b>Iris Option:</b>
200.00	<b>Length (mm):</b>
200.00	<b>Length excluding Threads (mm):</b>
110.00	<b>Maximum Diameter (mm):</b>
2.66	<b>Weight (kg):</b>

## Optical Properties

70.4mm	<b>Horizontal Field of View, 2/3" Sensor:</b>
57.6mm	<b>Horizontal Field of View, 1/1.8" Sensor:</b>
51.2mm	<b>Horizontal Field of View, 1/2" Sensor:</b>
11.00	<b>Maximum Image Circle (mm):</b>
0.01	<b>Numerical Aperture NA, Object Side:</b>
>45% @40 lp/mm	<b>Resolution, Image Space MTF @ f/10:</b>
10 (8)	<b>Number of Elements (Groups):</b>
<0.028	<b>Typical Telecentricity @ 588nm (°):</b>
0.025	<b>Typical Distortion @ 588nm (%):</b>
0.125X	<b>Primary Magnification PMAG:</b>
0.12	<b>Telecentric Lens Magnification:</b>
132 - 182	<b>Working Distance (mm):</b>
70.4 x 52.8	<b>FOV @ Max Sensor Format, H x V (mm):</b>
f/6 - f/25	<b>Aperture (f/#):</b>
M4 MgF <sub>2</sub>	<b>Coating:</b>
±30.4 at f/10 (20% @20 lp/mm)	<b>Depth of Field (mm):</b>
0.125X	<b>Magnification:</b>
VIS	<b>Lens Wavelength Range:</b>

## Sensor

2/3"	<b>Maximum Sensor Format:</b>
2.74	<b>Pixel Size (µm):</b>

## Threading & Mounting

M105 x 1.00 (Female)	<b>Filter Thread:</b>
C-Mount	<b>Mount:</b>

## Regulatory Compliance

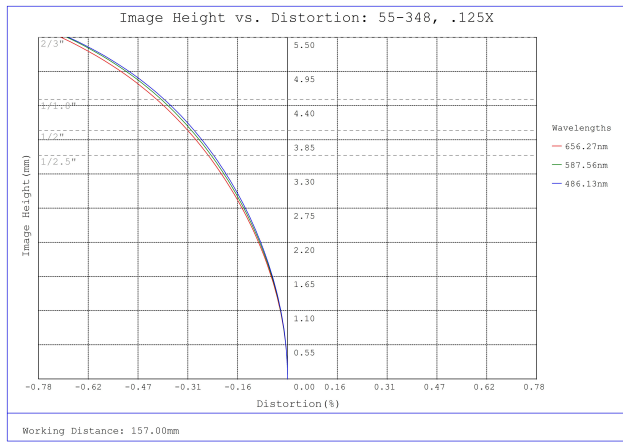
<a href="#">Compliant</a>	<b>RoHS 2015:</b>
<a href="#">Compliant</a>	<b>REACH 201:</b>
<a href="#">View</a>	<b>Certificate of Conformance:</b>
China	<b>Country of Origin:</b>
Edmund Optics India Private Limited 267, Greystone Building, Second Floor, 6th Cross Rd, Binnamangala,	<b>Imported By:</b>

## Product Details

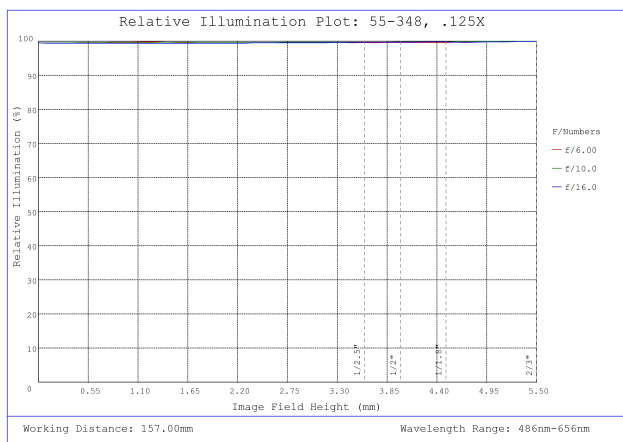
- High Resolution Telecentric Lens for Measurement and Gauging
- Up to 5 MegaPixels, 3.45µm Pixel Size Sensors
- Up to 2/3", C-Mount Telecentric Lens
- Magnification from 0.06X to 1X

TECHSPEC® GoldTL™ Telecentric Lenses were designed specifically for machine vision and metrology applications. The unique focusable design allows for working distance adjustment, while still providing <math><0.2^\circ</math> telecentricity. These lenses also feature high resolutions, low distortions, and are available for 1/2" or 2/3" sensors. TECHSPEC® GoldTL™ Telecentric Lenses have a front filter thread for easy integration of [color filters](#), [polarizers](#) or other mounted components. Both the iris and focusing adjustment positions can be fixed by set screws to remain secure in high vibration environments.

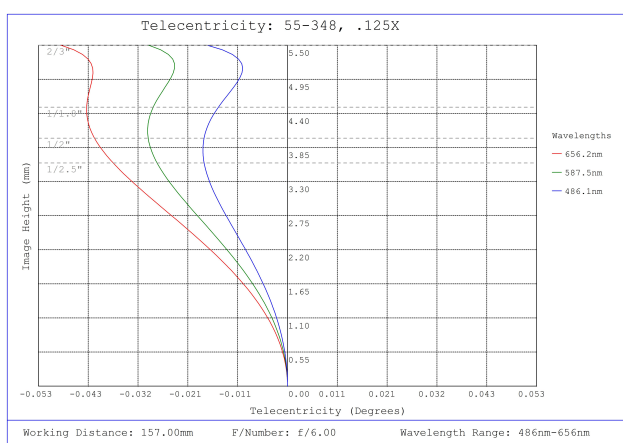
## Technical Information



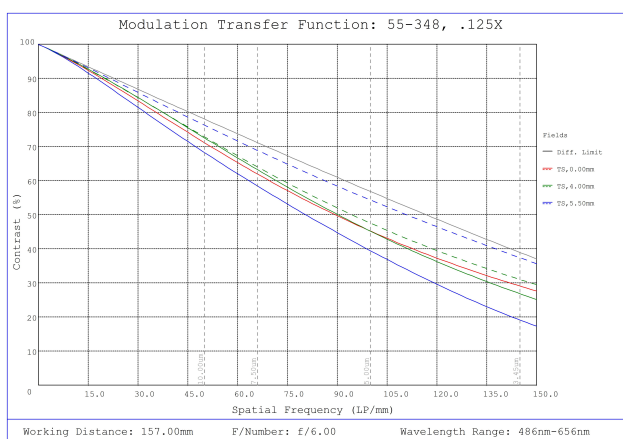
#55-348, 0.125X, 2/3" GoldTL™ Telecentric Lens, Distortion Plot



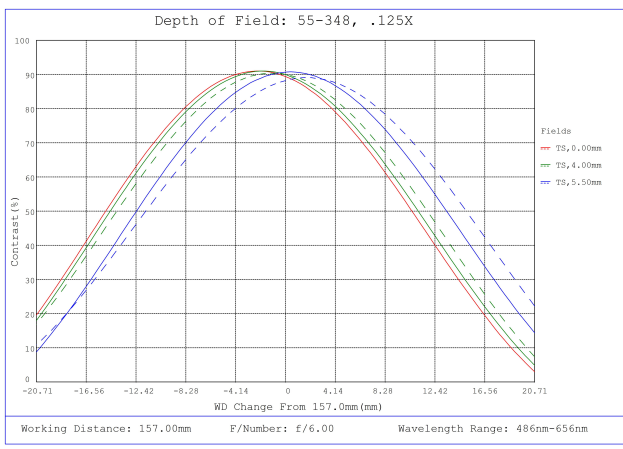
#55-348, 0.125X, 2/3" GoldTL™ Telecentric Lens, Relative Illumination Plot



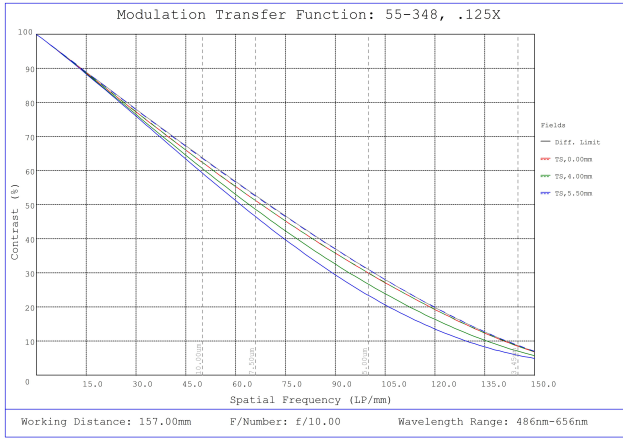
#55-348, 0.125X, 2/3" GoldTL™ Telecentric Lens, Telecentricity Plot



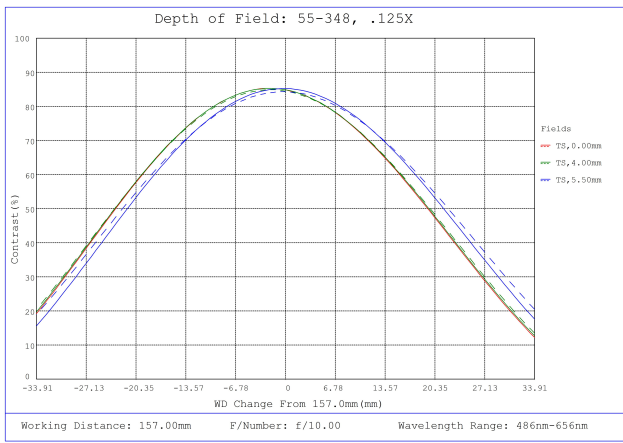
#55-348, 0.125X, 2/3" GoldTL™ Telecentric Lens, Modulated Transfer Function (MTF) Plot, 157mm Working Distance, f6



#55-348, 0.125X, 2/3" GoldTL™ Telecentric Lens, Depth of Field Plot, 157mm Working Distance, f6



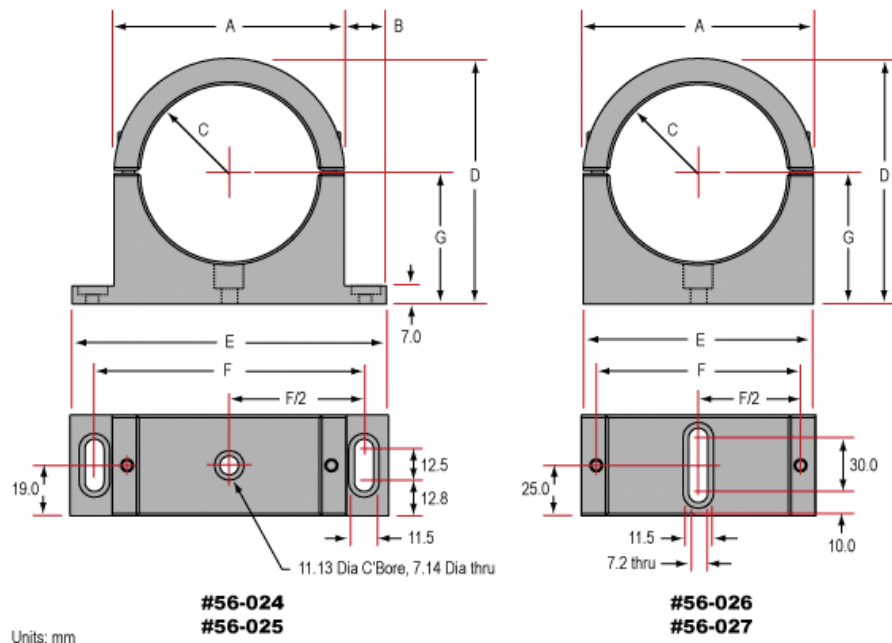
#55-348, 0.125X, 2/3" GoldTL™ Telecentric Lens, Modulated Transfer Function (MTF) Plot, 157mm Working Distance, f10



#55-348, 0.125X, 2/3" GoldTL™ Telecentric Lens, Depth of Field Plot, 157mm Working Distance, f10

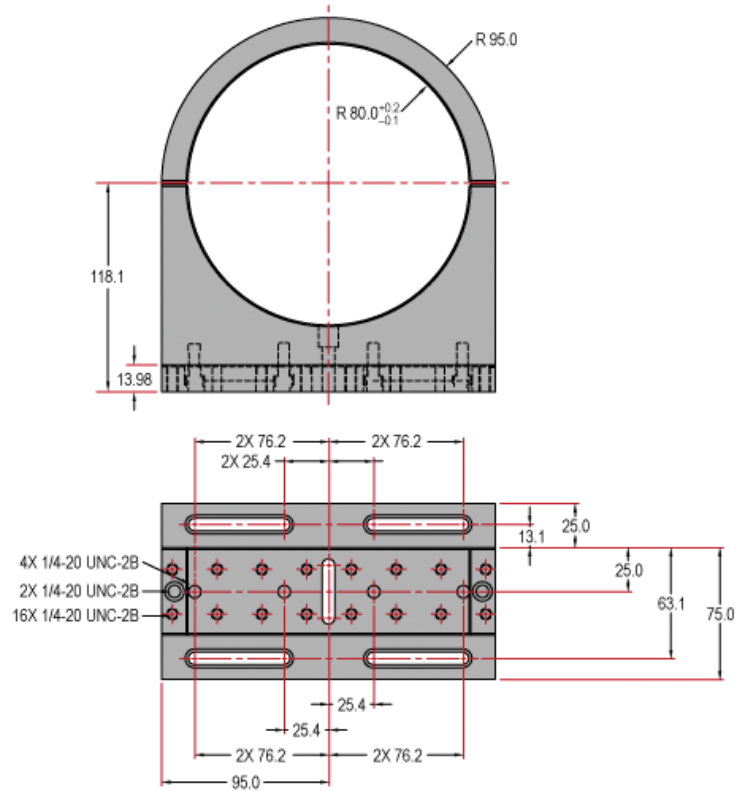
Stock No.	A	B	C	D	E	F	G
#56-024	88mm	16mm	34mm	94mm	120mm	101.6mm	50mm
#56-025	85mm	17.5mm	32.5mm	91mm	120mm	101.6mm	48.5mm
#56-026	103mm	—	39.5mm	107mm	103mm	90mm	55.5mm
#56-027	134mm	—	55mm	148mm	134mm	122mm	81mm

**Telecentric Lens Mounts**



Units: mm

**Telecentric Lens Mount for #56-948**



Units: mm