

[All Products](#) / [Imaging Lenses](#) / [Zoom & Variable Magnification Lenses](#) / [High Magnification Long Working Distance Zoom Lenses](#)

## Infiniprobe™ UV Microscopes See More by [Infinity Photo-Optical Company](#)



- Available in Standard and Right Angle Versions
- Magnification Range from 0X to 8.0X
- Max. 2/3" Sensor Format
- Direct Video C-Mount Coupling
- No Adapters Required

### Common Specifications

#### Sensor

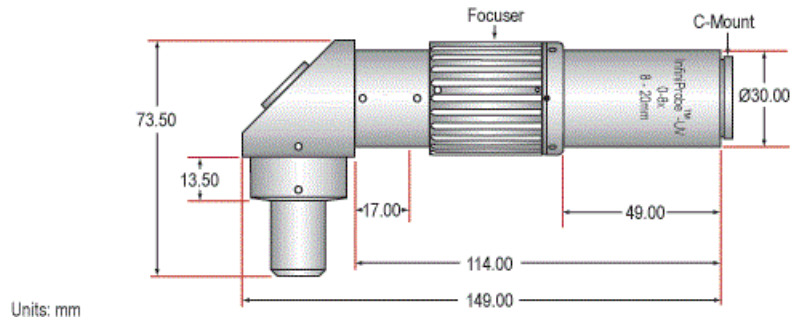
Maximum Sensor Format: 2/3"

#### Threading & Mounting

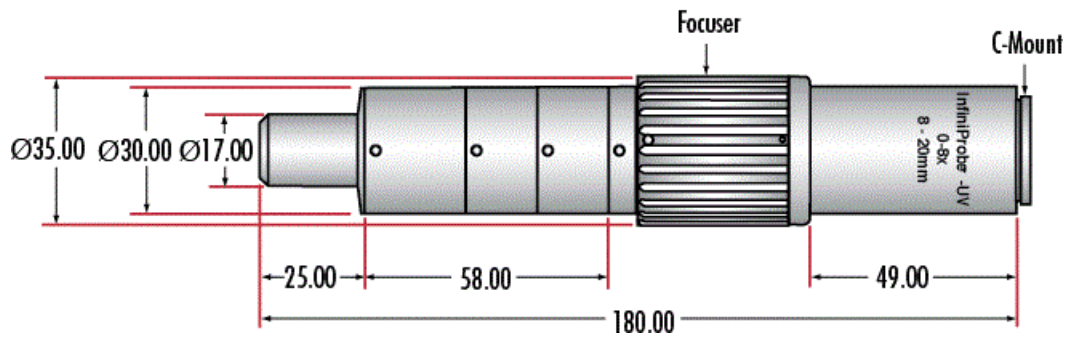
Mount: C-Mount

# Technical Information

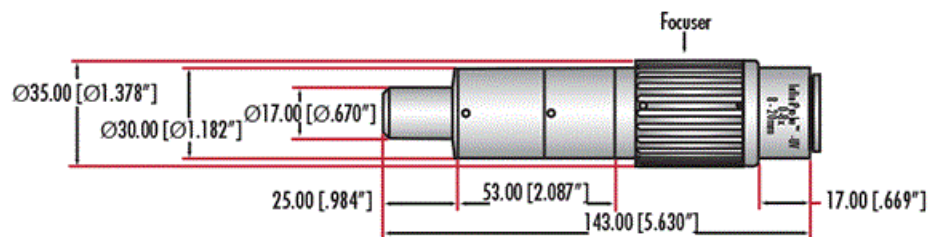
## InfiniProbe™ UV Video Microscopes Right Angle Configuration



## InfiniProbe™ UV Video Microscopes Standard Configuration



## Standard S-32 Configuration



## Products

Title	Stock Number	Price	Buy
Infiniprobe S-80 UV Video Microscope	<a href="#">#58-946</a>	₹4,81,086	Contact Us
Infiniprobe N-80 UV Right Angle Video Microscope	<a href="#">#59-121</a>	₹5,27,283	Contact Us
Infiniprobe S-32 UV Video Microscope	<a href="#">#62-853</a>	₹3,95,595	Contact Us
Infiniprobe N-32 UV Right Angle Video Microscope	<a href="#">#62-854</a>	₹4,38,606	Contact Us



Copyright 2023, Edmund Optics India Private Limited, #267, Greystone Building, Second Floor, 6th Cross Rd, Binnamangala, Stage 1, Indiranagar, Bengaluru, Karnataka, India 560038

Phone: 1-800-363-1992 :

[www.edmundoptics.com](http://www.edmundoptics.com)