

NOTES:

1. SUBSTRATE:
Fused Silica
2. CENTERING TOLERANCE (AT 587.6nm): <3ARCMIN
3. COATING (APPLY ACROSS COATING APERTURE)
S1: NONE
S2: NONE

4. EDGES: FINE GROUND

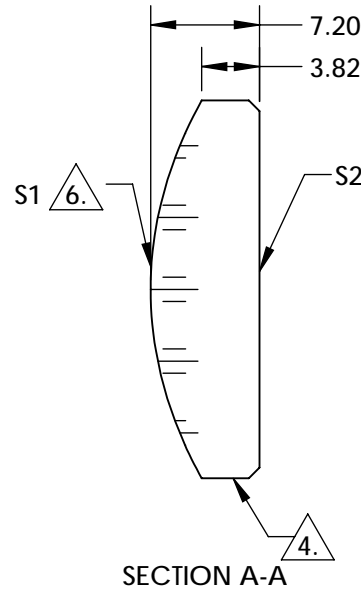
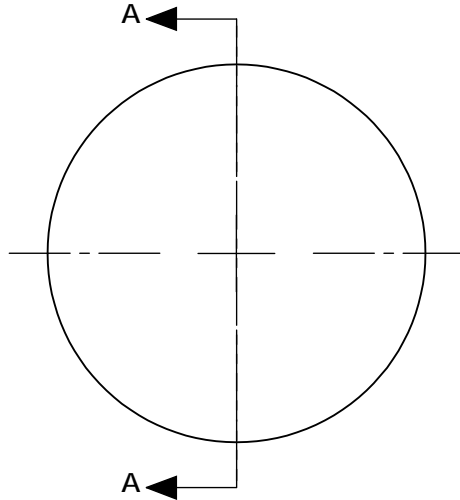
5. ASPHERIC FIGURE ERROR: 0.016 μm RMS

6. ASPHERIC SURFACE DESCRIBED BY (REF. COEFFICIENT TABLE):



$$Z_{ASPH}(Y) = \frac{(\frac{1}{RADIUS}) * Y^2}{1 + \sqrt{1 - (1+k) * (\frac{1}{RADIUS})^2 * Y^2}} + D * Y^2 + E * Y^4 + F * Y^6 + G * Y^8 + H * Y^{10} + J * Y^{12} + L * Y^{14}$$

**FOR INFORMATION ONLY:
DO NOT MANUFACTURE
PARTS TO THIS DRAWING**

SPECIFICATIONS SUBJECT TO CHANGE WITHOUT NOTICE
DIMENSIONS ARE FOR REFERENCE ONLY



COEFFICIENT TABLE 6.	
COEFFICIENT	S1
SEMI-DIAMETER	1.250000E+01
(1/RADIUS)	4.200798E-02
k	-6.630000E-01
D	0.000000E+00
E	8.650042E-07
F	2.870604E-10
G	0.000000E+00
H	0.000000E+00
J	0.000000E+00
L	0.000000E+00

		EFL @ 355nm: 50.00		 Edmund Optics®	
SHAPE	S1 CONVEX	S2 CONVEX			
SURFACE QUALITY	40-20	40-20	THIRD ANGLE PROJECTION 	TITLE	25mm Dia 0.23 NA λ/40 Uncoated, UV Fused Silica Aspheric Lens
CLEAR APERTURE	Ø22.5mm	Ø22.5mm	ALL DIMS IN	DWG NO	17329
BEVEL	PROTECTIVE AS NEEDED	PROTECTIVE AS NEEDED	mm		SHEET 1 OF 1