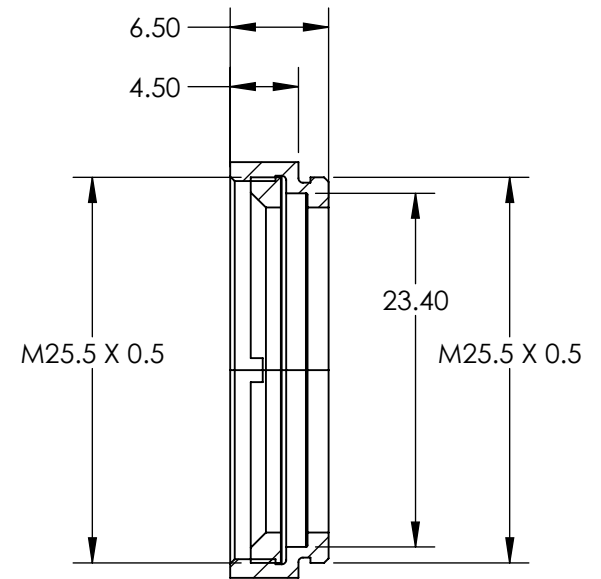
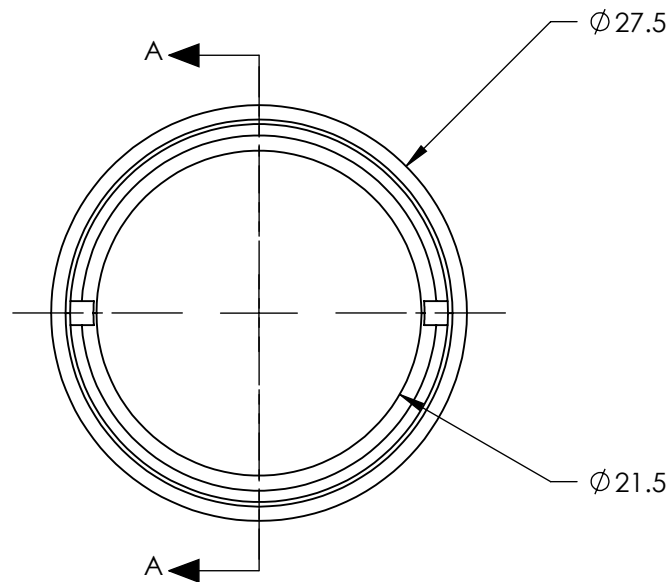
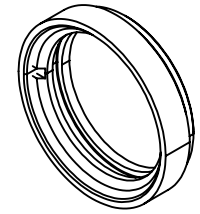


NOTES:

1. ROHS COMPLIANT



SECTION A-A

SPECIFICATIONS SUBJECT TO CHANGE WITHOUT NOTICE  
DIMENSIONS ARE FOR REFERENCE ONLY

**FOR INFORMATION ONLY:  
DO NOT MANUFACTURE  
PARTS TO THIS DRAWING**

	VALUE
THICKNESS OF COMPATIBLE OPTICS	1.75mm (NOMINAL)
DIAMETER OF COMPATIBLE OPTICS	23mm (NOMINAL)

THIRD ANGLE PROJECTION	
ALL DIMS IN	mm

**Edmund Optics®**

TITLE	M25.5 x 0.50 Empty Filter Mount for 23mm Dia. Optics	
DWG NO	17054	SHEET 1 OF 1